

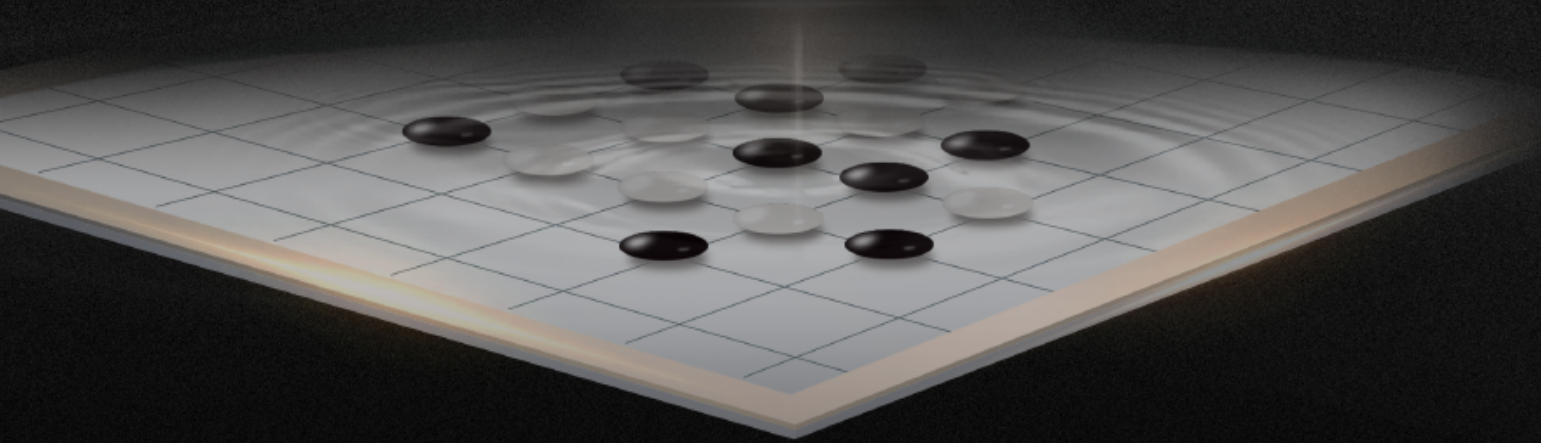
M 500

MEET ALL TUBE CUTTING DEMANDS

1.5kW-6kW



THE BLACK GO CHESS



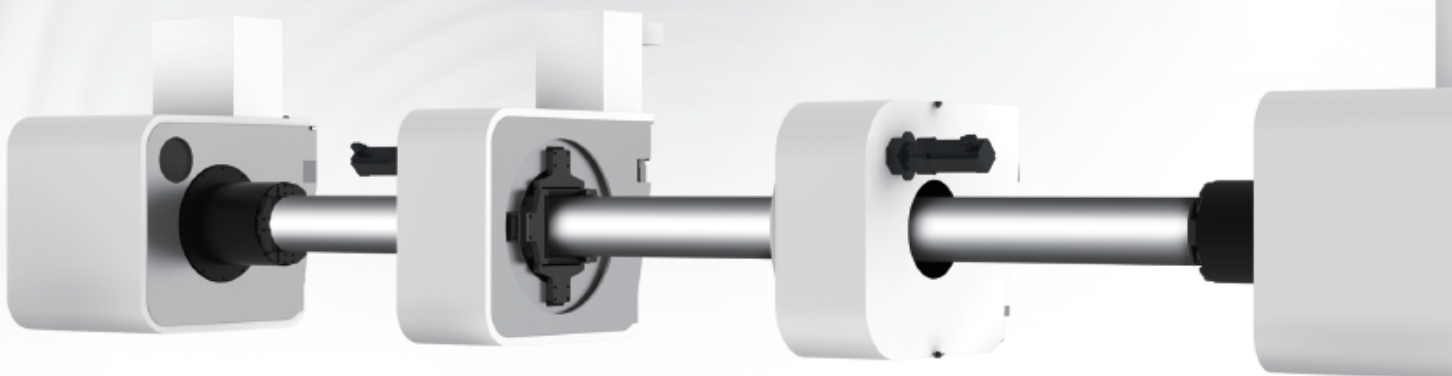
Black Go chess — inspired by Go

Circular — endless loop, endless exploration

Black — derived from obsidian crystal, steady and deep



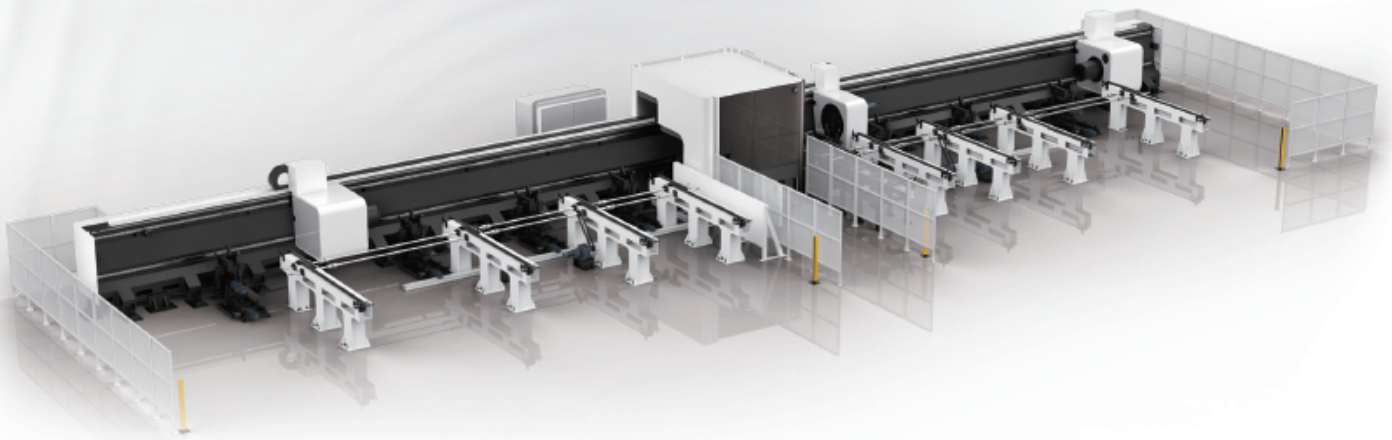
NO WASTE OF MATERIAL



Advantages

- Equipped with four chucks, the cutting cost is saved without tube cutting scraps.

HEAVY TUBE LASER CUTTING MACHINE



Advantages

- Maximum loading capacity up to 500kg; Maximum tube length up to 12m; Maximum tube diameter up to 500mm

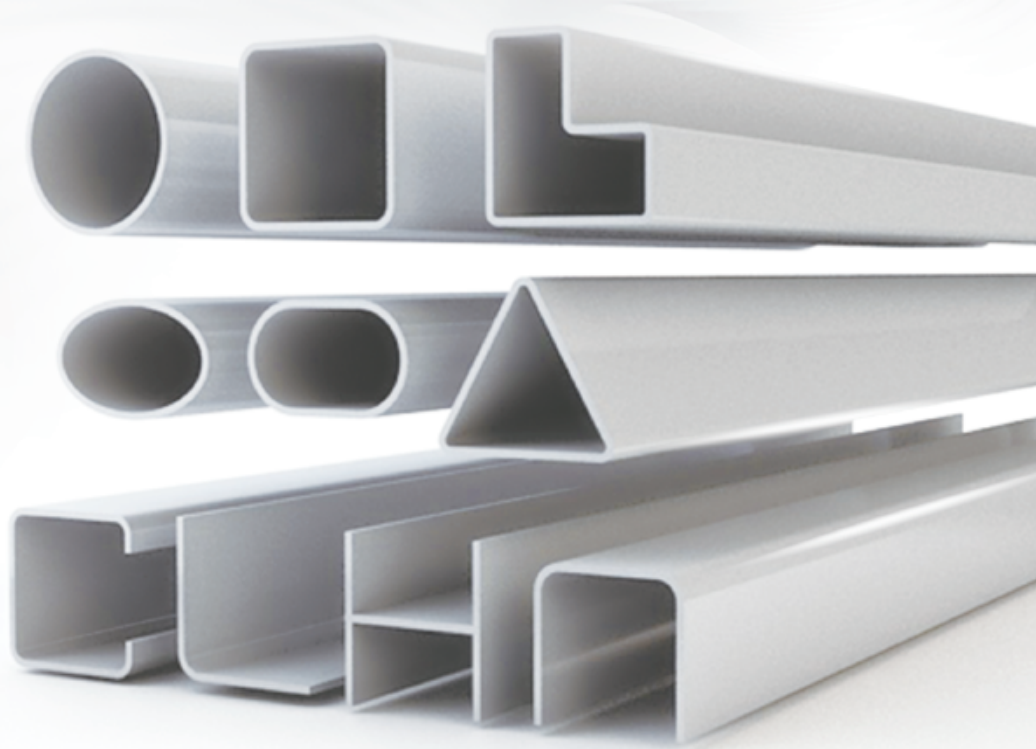
BODOR THINKER



Advantages

- High-end intelligent system, stable and reliable, easy to setup and debug, keep safe in production, rich in functions, and excellent in performance. It supports modular, personalized, automated, and informationized solutions.

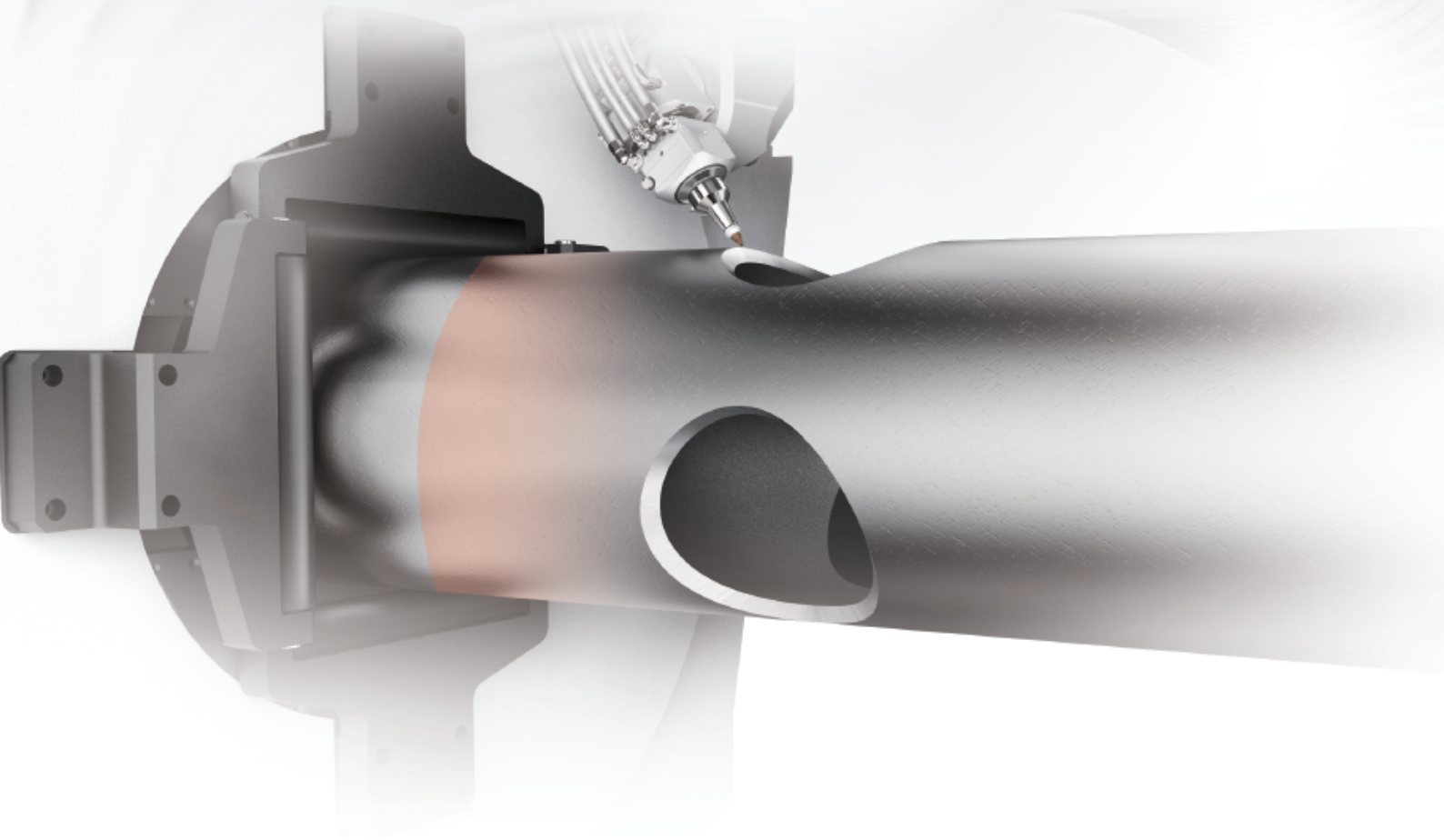
APPLICABLE FOR VARIABLE TYPES OF TUBE



Advantages

- M500 Series is applicable for different kinds of tubes, such as round, square, rectangle, triangle, I-beam etc.
- The dedicated control system of tube cutting machine integrated with the most advanced technology, can cut angle steel and channel steel directly without nesting and zero-returning.

AUTOMATIC TUBE DETECTION



Advantages

- Optimized edge searching method and algorithm guarantee higher cutting precision and better steadiness.

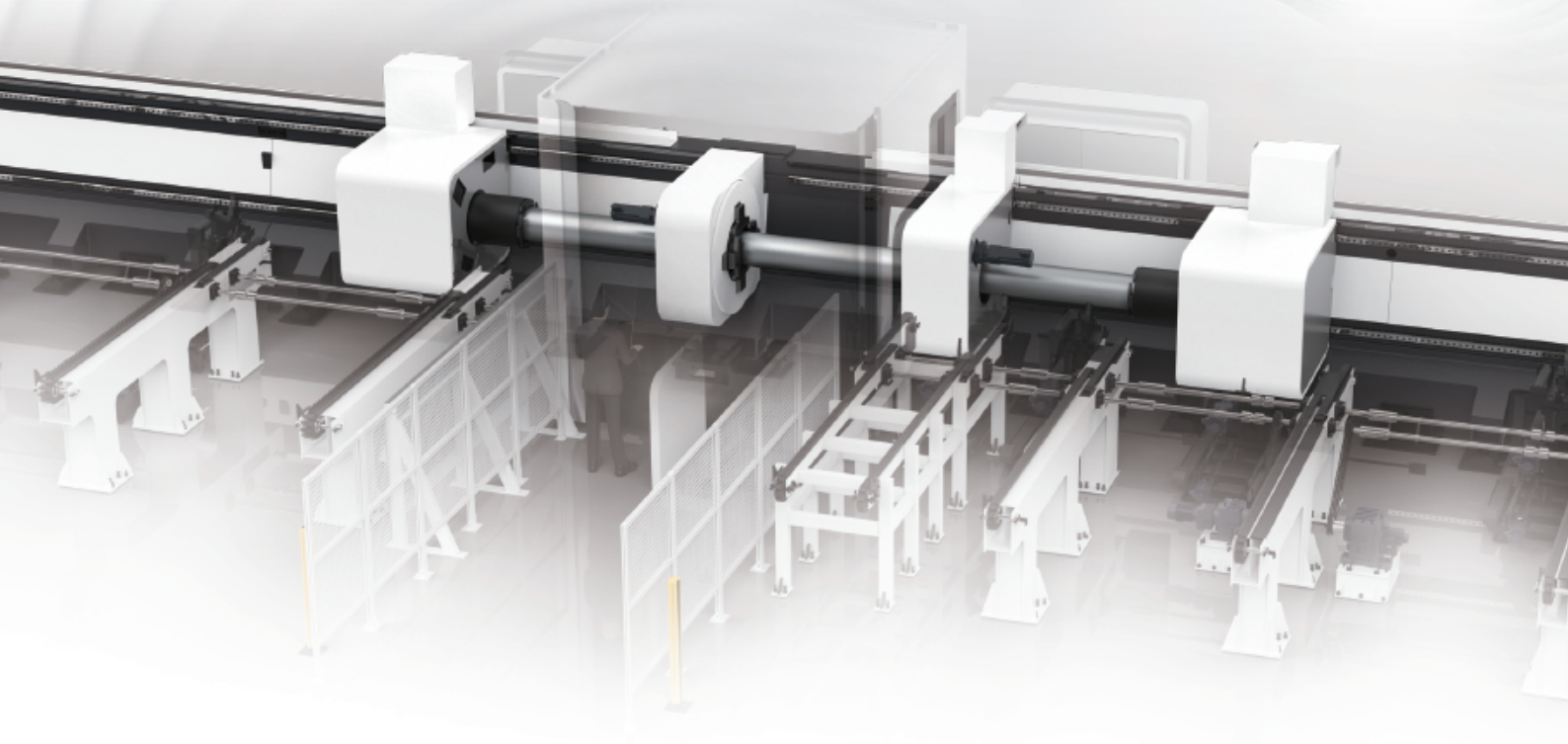
ELECTRIC CHUCK



Advantages

- Quick clamping improves the work efficiency.
- The clamping force is large, stable and adjustable.
- Strong safety and reliability.

FULLY AUTOMATIC UNLOADING



Advantages

- Problems of unloading heavy or long tubes are solved with its fully automatic unloading.

BODOR CLOUD

Advantages

- Daily equipment status management (processing data, report forms)
- Alarm and maintenance reminder
- Cloud transmission for processing programs
- Remote online service access with one key
- Real-time information of the latest cutting process

Technical Data

ITEM	M500
Tube cross-sectional shape	Round tube, square tube, rectangular tube, angle steel, channel steel, H-beam, etc.
Tube size range	"Round tube $\Phi 60$ - $\Phi 500$ mm Square tube $\square 60$ - $\square 350$ mm Rectangular tube: $350\text{mm} \geq \text{Side length} \geq 60\text{mm}$, Circumscribed circle diameter $\leq 460\text{mm}$ "
Maximum machinable tube length	12000mm
Maximum tube weight	1600Kg
Max. Chuck rotating speed	36r/min
X axis maximum speed	35m/min
Y axis maximum speed	35m/min
X maximum acceleration	0.5G
Y maximum acceleration	0.5G
Z axis maximum speed	25m/min
Dimensions	34500mm \times 11000mm \times 3300mm
Overall weight	81000kg
Positioning accuracy	0.06mm
Repositioning accuracy	0.04mm
Total power capacity/current with 6KW source	343.75KVA/625A
Total power capacity/current with 3KW source	325KVA/595A
Total power capacity/current with 2KW source	318.75KVA/580A
Total power capacity/current with 1.5KW source	312.5KVA/575A

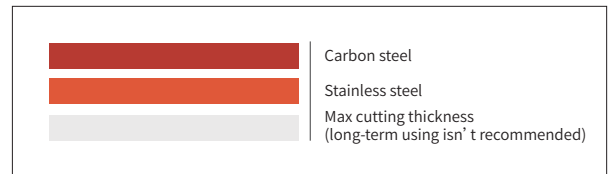
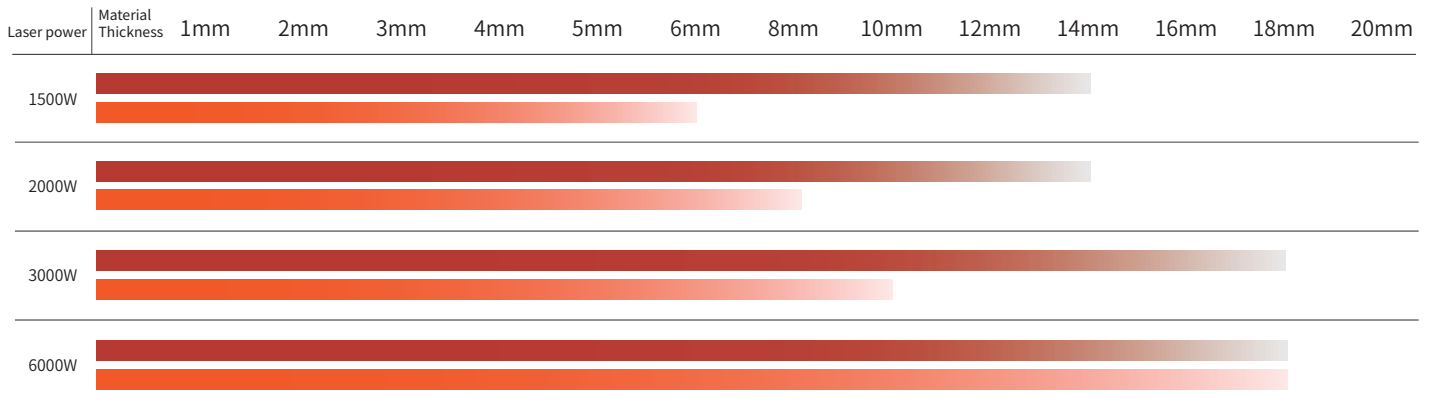
Configuration And Components

Laser source	Bodor Power
Chuck	Fully automatic self centering four jaw chuck
Linear Rails	Bodor
Rack	Bodor
"X-axis、Y-axis、Z-axis、A-axis Servo motor and driver"	Bodor
Control system	Bodor Thinker
Display size	21.5 inches
Water Chiller	●
Dust removal	Centrifugal fan

Tube Cutting Parameters

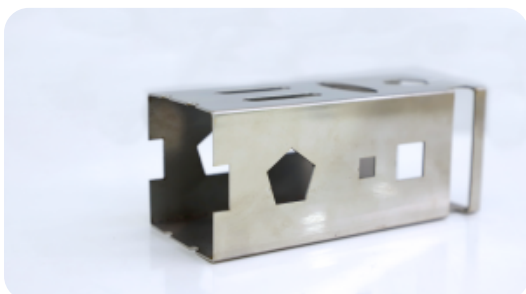
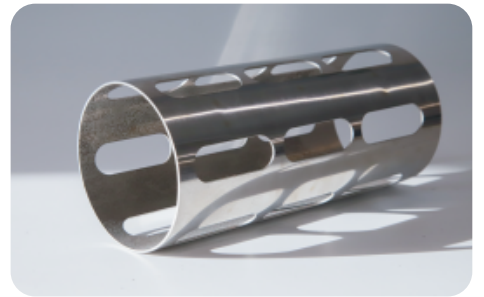
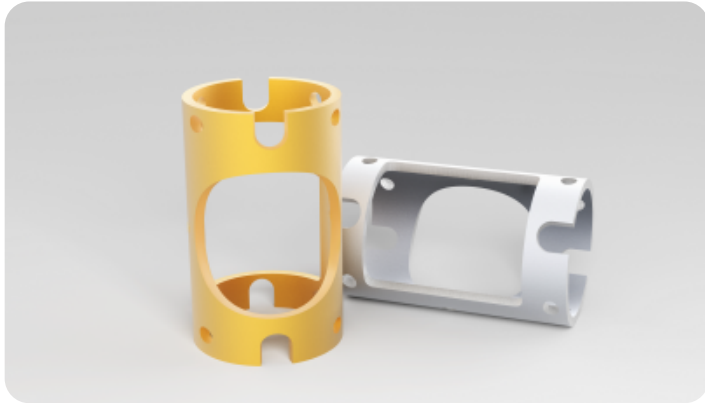
		1000W	1500W	2000W	3000W	6000W	12000W
	Thickness (mm)	speed m/min	speed m/min	speed m/min	speed m/min	speed m/min	speed m/min
Carbon steel	1	12--15	17--19	16--20	18--21	18--21	18--21
	2	5--7	6--8	8--10	10--12	15-20	15-20
	3	2--3	2.5--3.5	3.0--4.8	3.5--5	3.8--5.5	4--6
	4	2--2.4	2.3--2.8	2.8--3.5	3--3.8	3.2--4.3	3.3--4.5
	5	1--1.6	1.8--2.4	2.5--3	2.6--3.2	3--4	3.5--4.3
	6	1.1--1.4	1.4--1.8	1.8--2.2	1.9--2.4	2.5--3.5	2.7--4
	8	0.8--1.1	1--1.4	1.4--1.8	1.6--2	2--3	2.5--3.5
	10	0.6--0.9	0.8--1.1	1.0--1.3	1.2--1.6	1.3--2.2	1.8--2.5
	12	0.6--0.7	0.6--0.9	0.8--1	0.9--1.3	1.2--1.7	1.5--2
	14		0.5--0.6	0.6--0.7	0.8--1	0.9--1.3	1.2--1.8
	16				0.6--0.9	0.6--1.1	1--1.5
	18				0.5--0.6	0.5--0.7	0.8--1
20						0.5--0.8	
Stainless steel	1	12--16	15--20	20--24	23--28	23--28	23--28
	2	7--9	9--12	10--15	14--18	20--22	20--22
	3	2--2.5	2--3	3--4	4.2--5.4	8--10	8--12
	4	0.6--0.9	1.2--1.5	2--3	2.8--3.6	9--12	12--14
	5		0.6--0.9	1.2--1.6	1.8--2.4	6--8	7--9
	6		0.5--0.6	0.8--1.1	1--1.5	4--5.5	6--8
	8			0.5--0.6	0.8--1.2	2--3	3--4
	10				0.4--0.6	1--1.5	1.5--2.5
	12					0.5--1	1--2
	14					0.4--0.7	0.8--1.5
	16					0.2--0.4	0.6--1
	18					0.2--0.4	0.6--0.8
20						0.4--0.5	

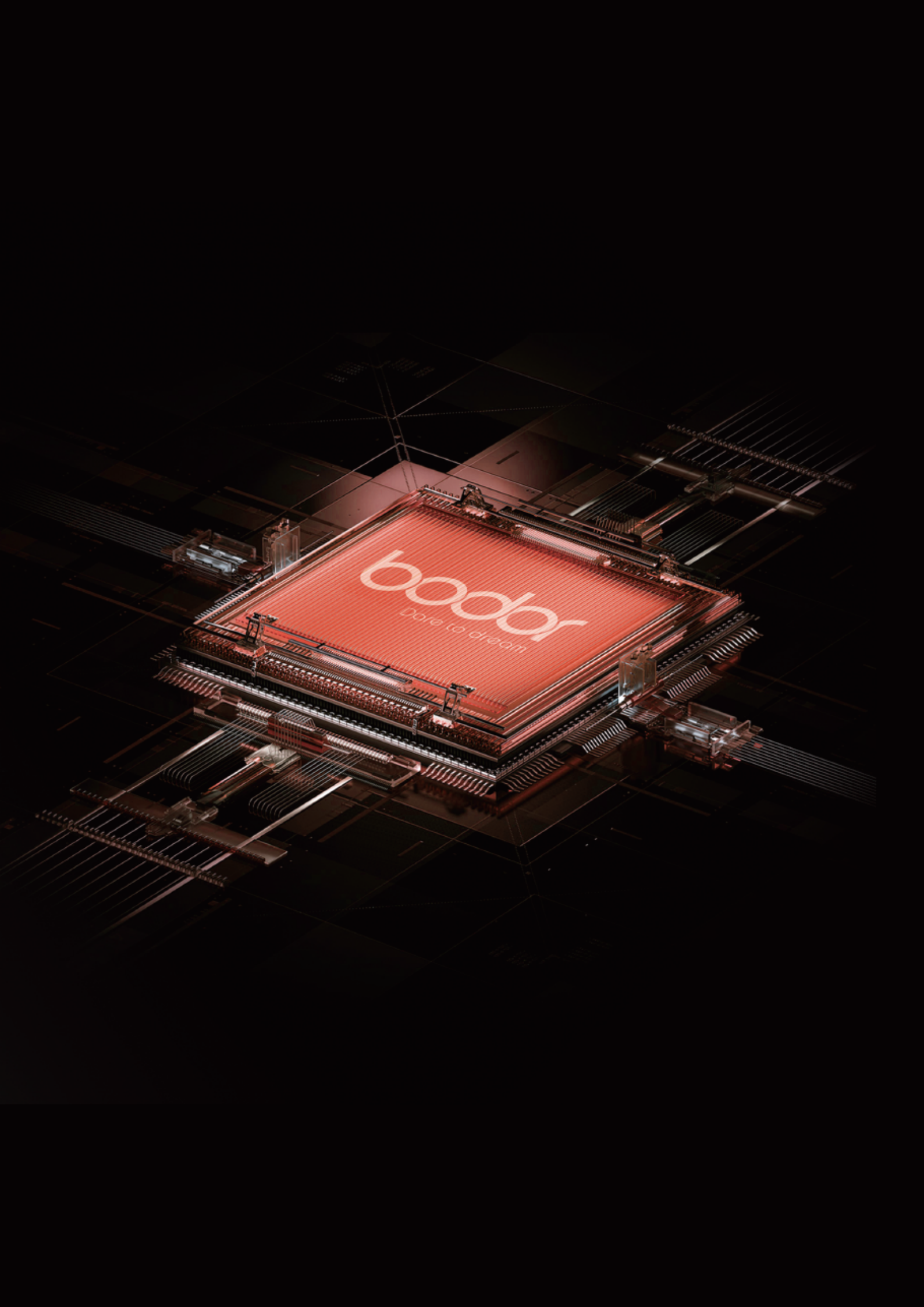
Cutting Capacity



Above data is only for reference

Cutting Samples





boddor
Care to dream